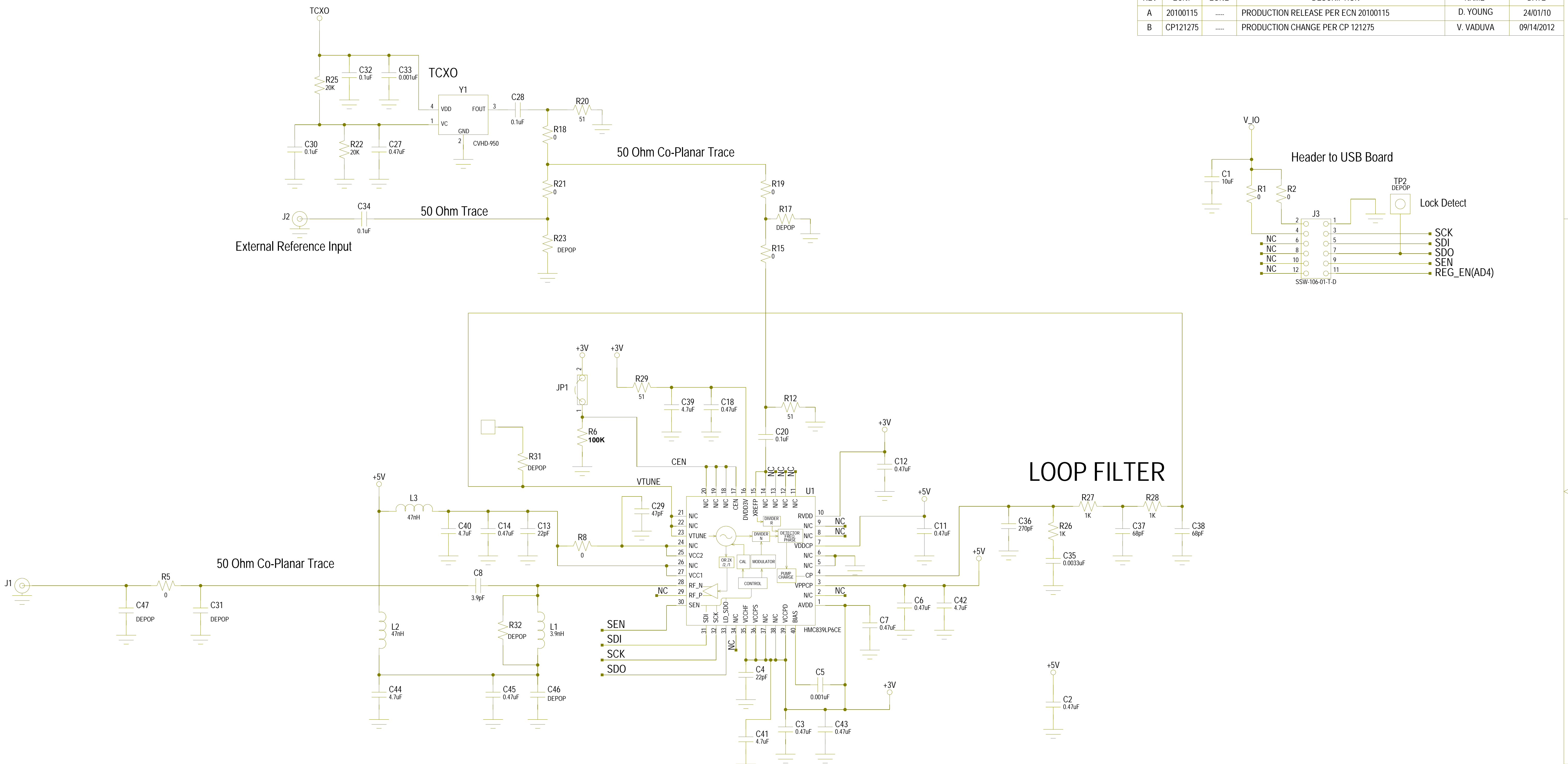
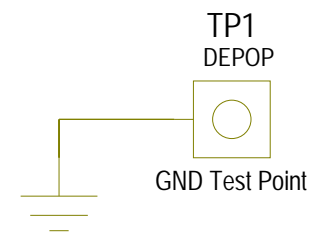


REVISIONS					
REV	ECN#	ZONE	DESCRIPTION	NAME	DATE
A	20100115	.....	PRODUCTION RELEASE PER ECN 20100115	D. YOUNG	24/01/10
B	CP121275	.....	PRODUCTION CHANGE PER CP 121275	V. VADUVA	09/14/2012

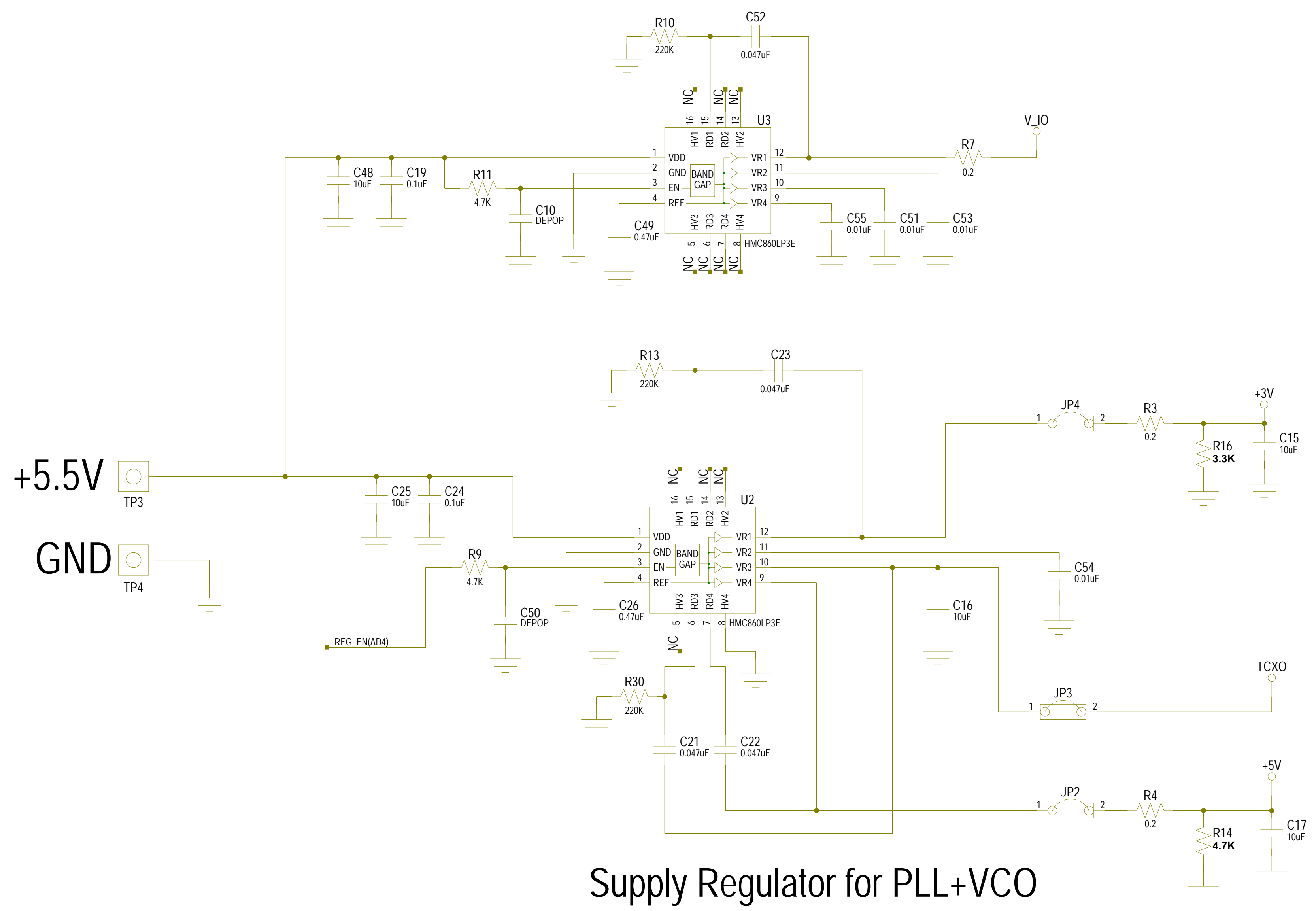


HMC839LP6CE Fo & Fo/2  
Integrated PLL & VCO  
Eval



<b>HITTITE MICROWAVE CORPORATION</b> 20 Alpha Rd Chelmsford, MA 01824	
<b>TITLE</b> SCH, CUSTOMER EVALALUATION PLL & VCO FO & FO/2	
<b>PROJECT</b> DRAWING #: 129507	
DRAWN BY: D.YOUNG	DATE: 10/01/2010
SHEET: 1 OF 2 CODE ID NO: 1CN88	SIZE: D REV: B

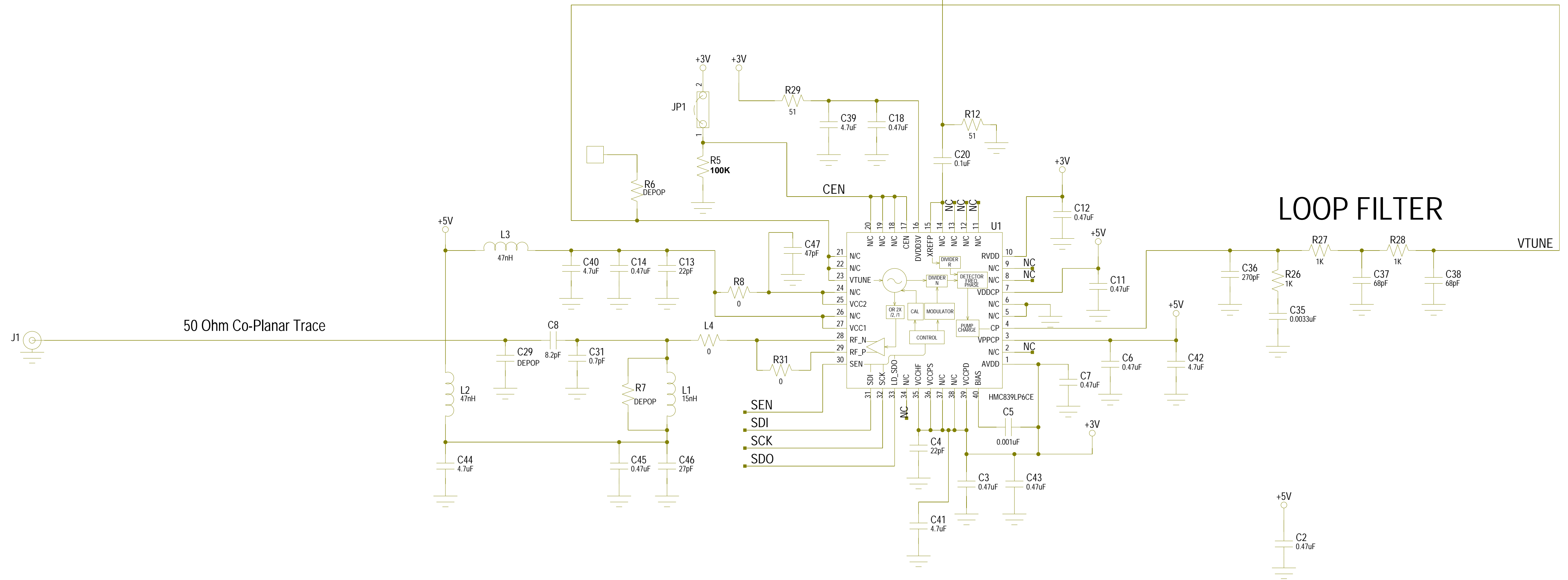
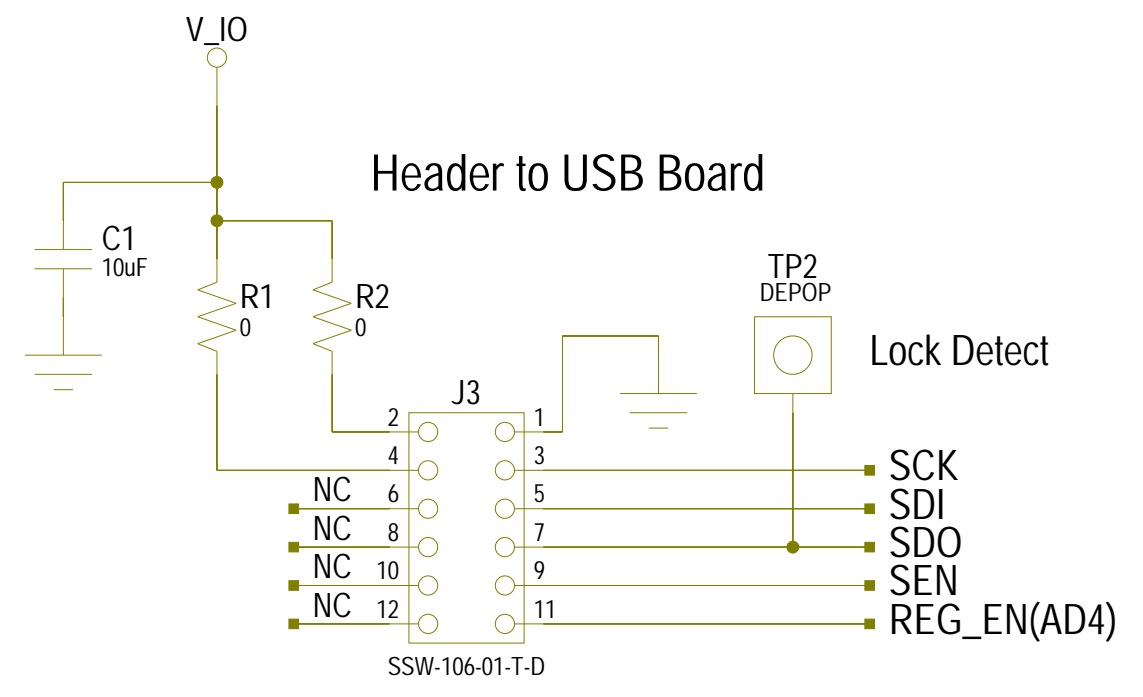
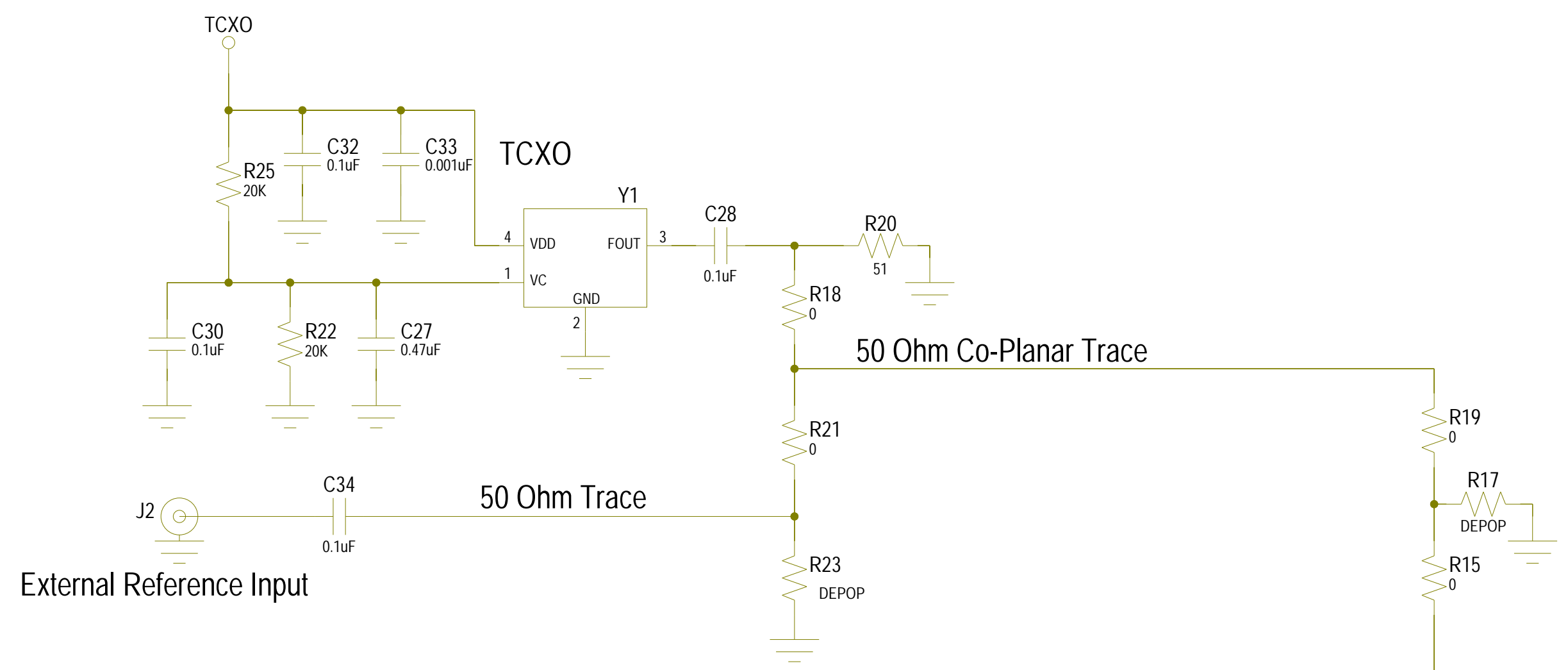
NOTICE OF PROPRIETARY PROPERTY: THIS DOCUMENT AND THE INFORMATION CONTAINED IN IT ARE THE PROPRIETARY PROPERTY OF HITTITE MICROWAVE CORPORATION. IT MAY NOT BE COPIED OR USED IN ANY MANNER NOR MAY ANY OF THE INFORMATION IN OR UPON IT BE USED FOR ANY PURPOSE, WITHOUT THE EXPRESSED WRITTEN CONSENT OF AN AUTHORIZED AGENT OF HITTITE MICROWAVE CORPORATION.



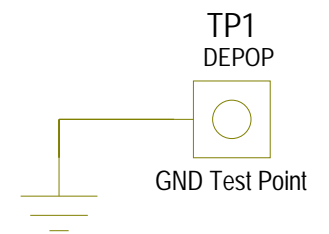
Supply Regulator for PLL+VCO

A recommended design practice is to connect the regulator Enable Pin #3 through a 4.7kOhm resistor to the system microcontroller/FPGA for power management control  
 Small series resistors required in VR1 and VR4 output paths, as shown

REVISIONS					
REV	ECN#	ZONE	DESCRIPTION	NAME	DATE
A	20100127	----	PRODUCTION RELEASE PER ECN 20100127	D. YOUNG	10/01/2010
B	CP121192	CP121275	CHANGE RELEASE PER CP121275	V. VADUVA	09/14/2012



**HMC839 2xFO  
Integrated PLL & VCO  
Eval**

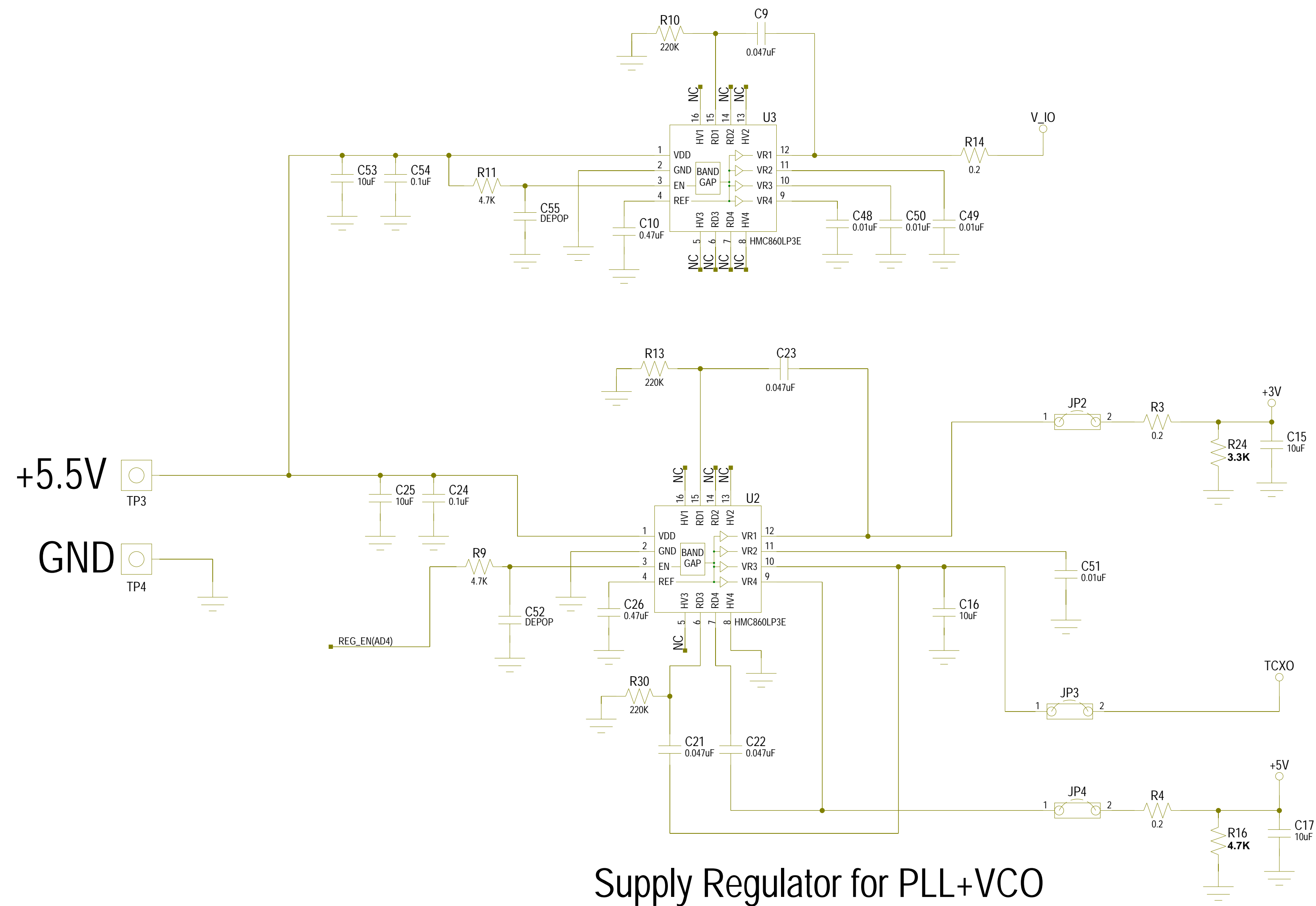


NOTICE OF PROPRIETARY PROPERTY: THIS DOCUMENT AND THE INFORMATION CONTAINED IN IT ARE THE PROPRIETARY PROPERTY OF HITTITE MICROWAVE CORPORATION. IT MAY NOT BE COPIED OR USED IN ANY MANNER NOR MAY ANY OF THE INFORMATION IN OR UPON IT BE USED FOR ANY PURPOSE, WITHOUT THE EXPRESSED WRITTEN CONSENT OF AN AUTHORIZED AGENT OF HITTITE MICROWAVE CORPORATION.

**HITTITE MICROWAVE CORPORATION**  
20 Alpha Rd Chelmsford, MA 01824

**TITLE**  
SCH, CUSTOMER EVALUATION PLL & VCO 2 X FO

PROJECT	129508	SHEET	1 OF 2
DRAWING #:		CODE ID NO.	SIZE
DRAWN BY	D.YOUNG	DATE	10/01/2010
		1CN88	D B



Supply Regulator for PLL+VCO

A recommended design practice is to connect the regulator Enable Pin #3 through a 4.7kOhm resistor to the system microcontroller/FPGA for power management control  
 Small series resistors required in VR1 and VR4 output paths, as shown